


PRODUCT SHEET

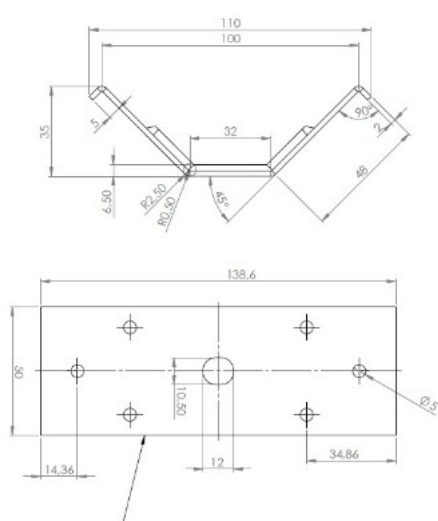
Description:

Leg Corner Bracket No. 26, 2.0mm, Steel, YZP, 6 Micron

Item number:

11.07.066-1

Units	Box	Carton	HS Code	Barcode
Pcs.	1	100	8302420090	
				5704866016087



NoFace: View is the approx. flattened profile

SISO A/S

Mileparken 11
DK-2740 Skovlunde
Denmark
VAT: DK 24786013

Phone +45 45 830 900

www.siso.dk
siso@siso.dk

Danske Bank
Nytorv Branch
Copenhagen
SWIFT: DABADKKK

Account no.
4180 3112 112936
IBAN Account
DK7230003112112936